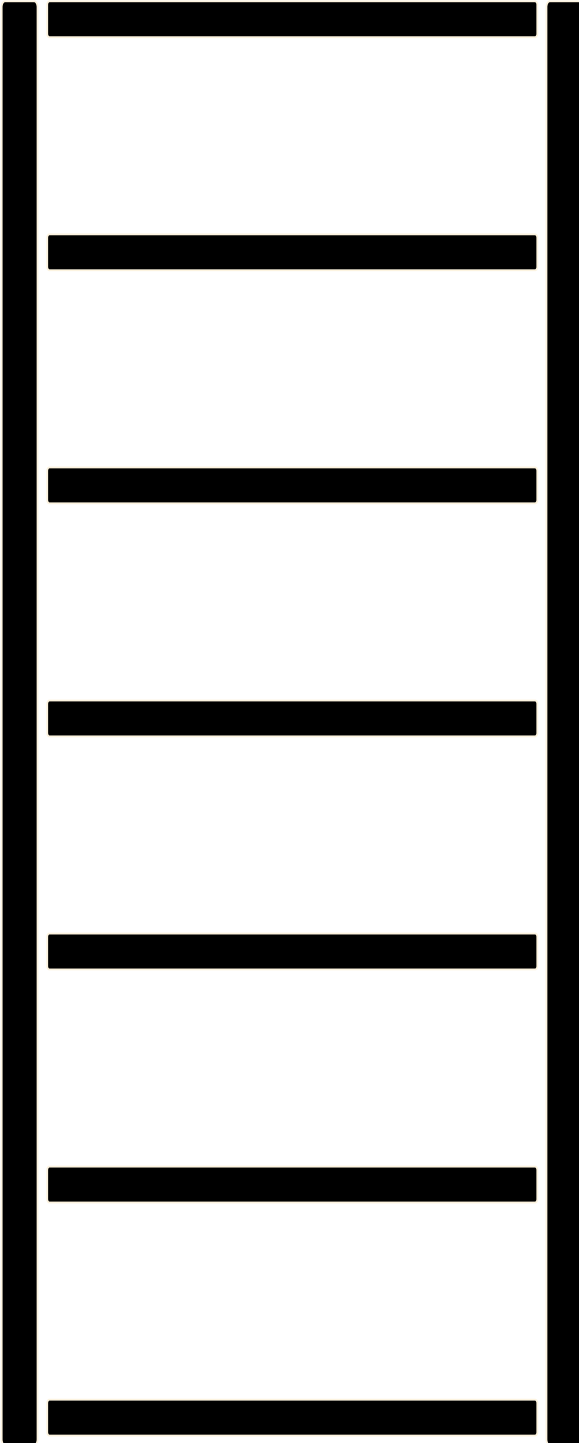


# UNIT

## SHELVING COLLECTION

Product fact sheet



# UNIT COLLECTION - Product fact sheet

## Unit 6

H215cm



Oak



Steel



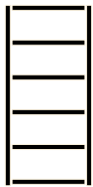
Full steel



Delivered flat pack

## Unit 5

H180cm



Oak



Steel



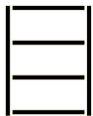
Full steel



Delivered flat pack

## Unit 3

H110cm



Oak



Steel



Full steel



Delivered flat pack

## Unit 2

H75cm



Oak



Steel



Full steel



Delivered flat pack

## Unit 1

H40cm



Oak



Steel



Full steel



Delivered flat pack

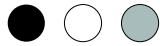
# UNIT COLLECTION - Product fact sheet

## Option - Extension legs H10cm

---



Legs



Delivered flat pack

## Option - Drawer cabinet

---



Drawers



Handles



Delivered flat pack

## Option - Door cabinet

---



Doors



Handles



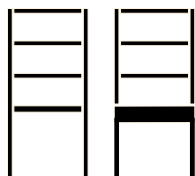
Full steel



Delivered flat pack

## Option - Work shelf & office legs

---



Tabletops



Legs



Delivered flat pack

## Option - Wardrobe

---

Max weight = 15Kg



Shelf



Wardrobe rail



Delivered flat pack

# UNIT COLLECTION - Product fact sheet

## Colors

---



RAL 9011  
Graphite black



RAL 9001  
Cream white



Natural oak  
veneer

## Full steel colors

---



RAL 9011  
Graphite black



RAL 9001  
Cream white



Pale blue

## Product specifications

---

### Materials

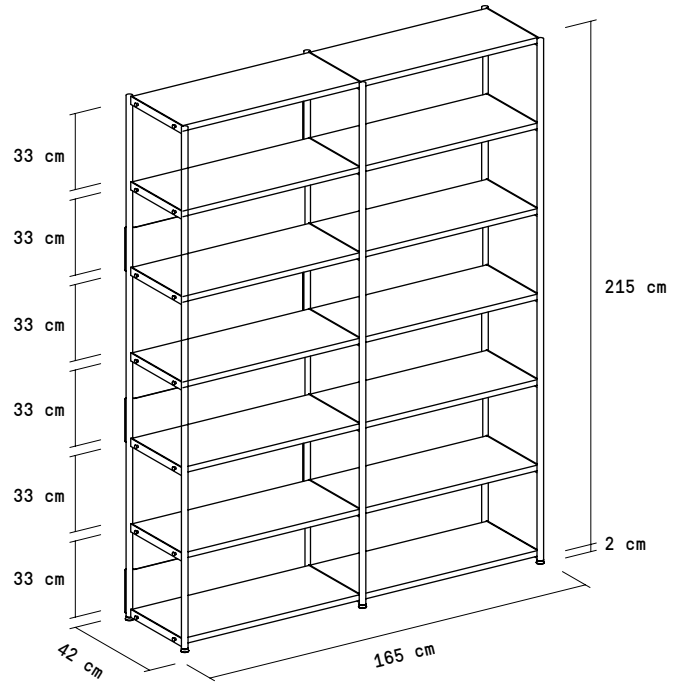
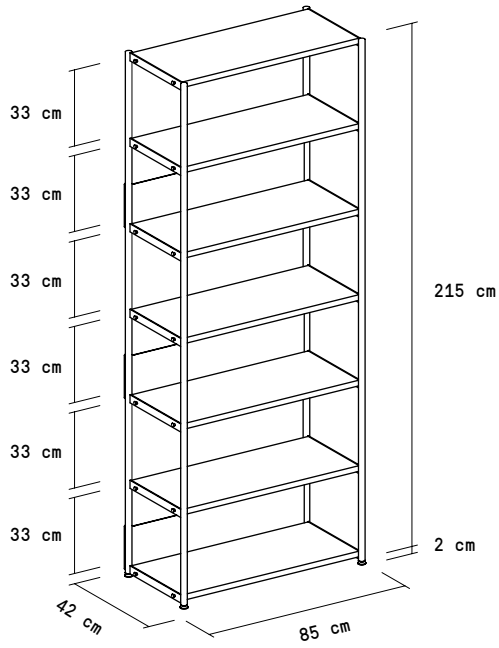
FSC natural oak veneer, powder-coated steel

### Manufacturing

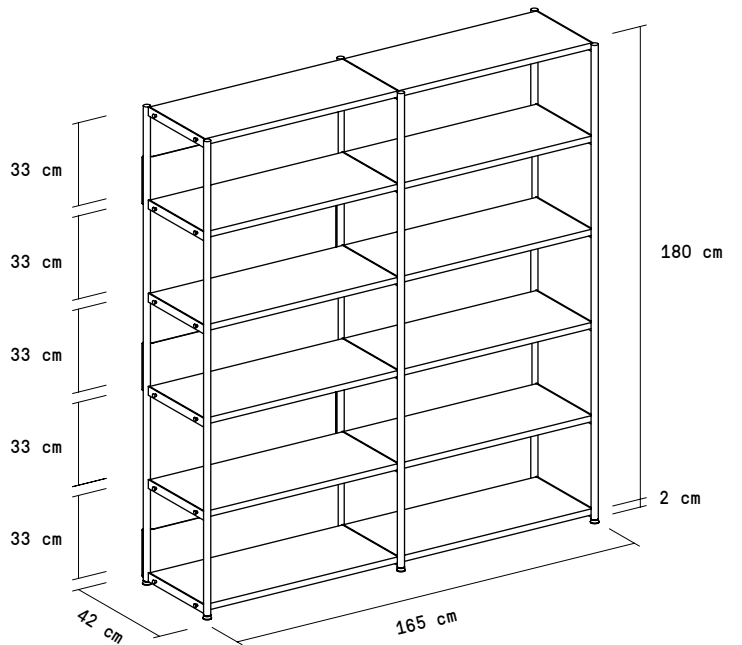
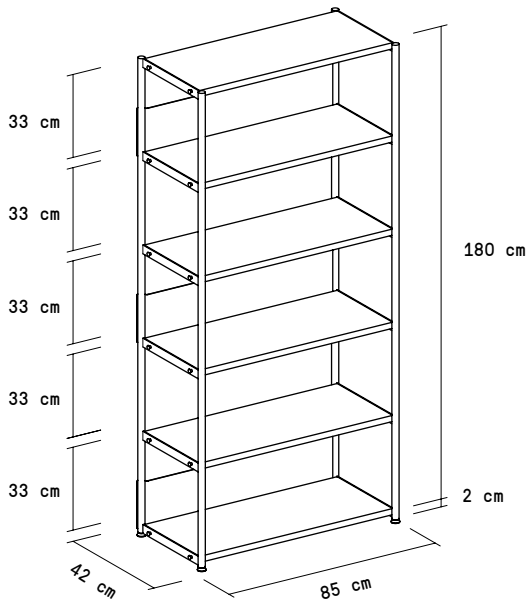
100% made in Europe (Slovenia, Lithuania, France)

# UNIT COLLECTION - Product fact sheet

## Unit 6

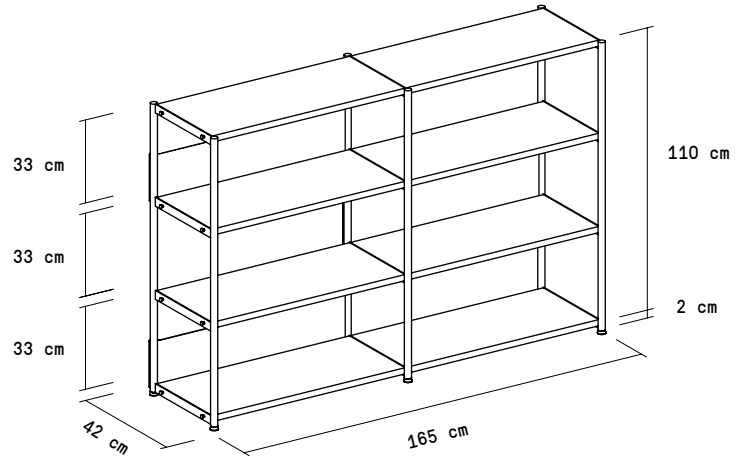
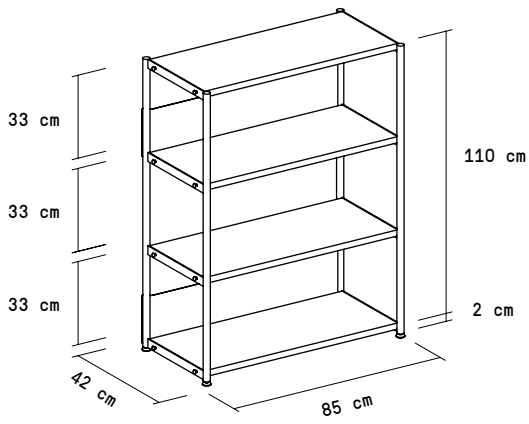


## Unit 5

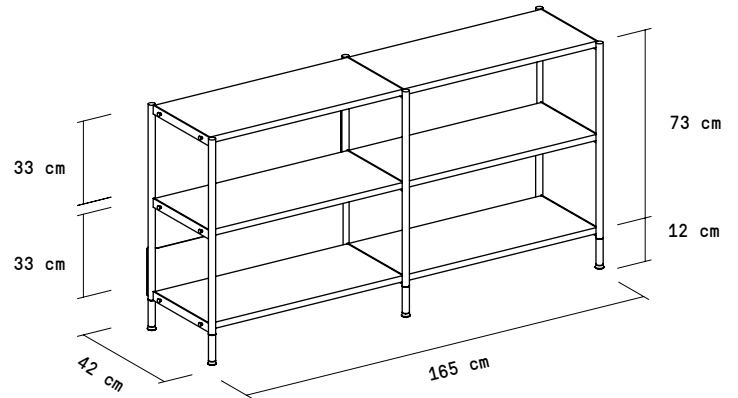
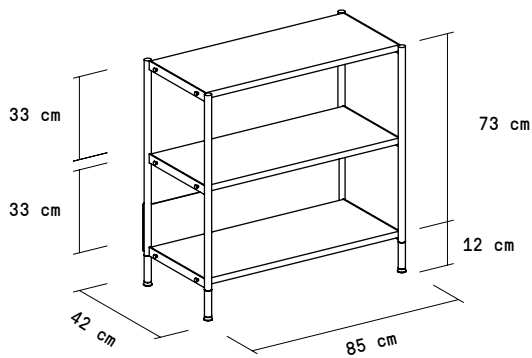
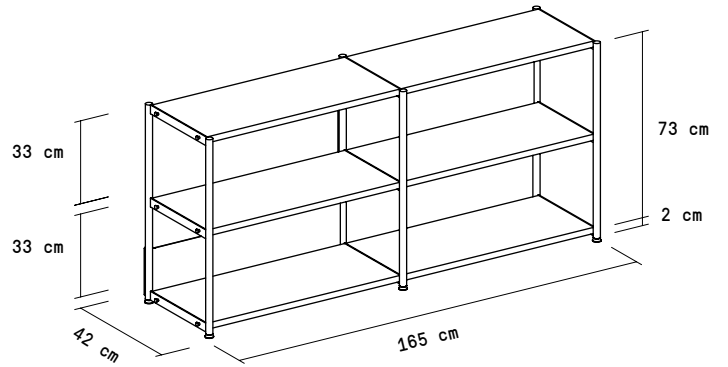
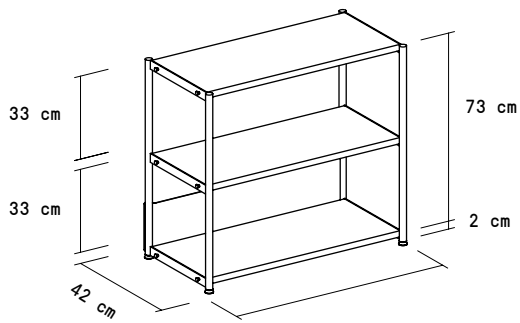


# UNIT COLLECTION - Product fact sheet

## Unit 3



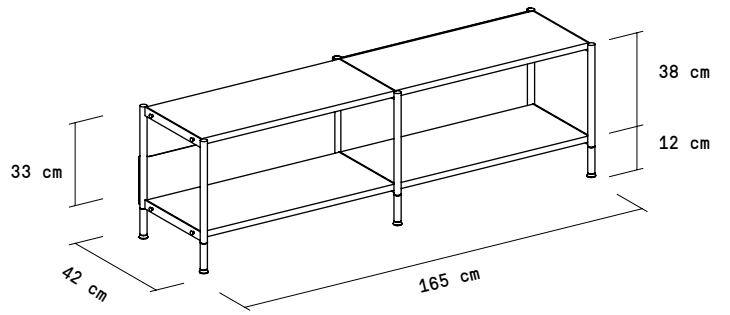
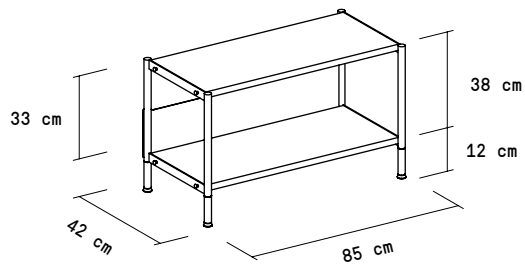
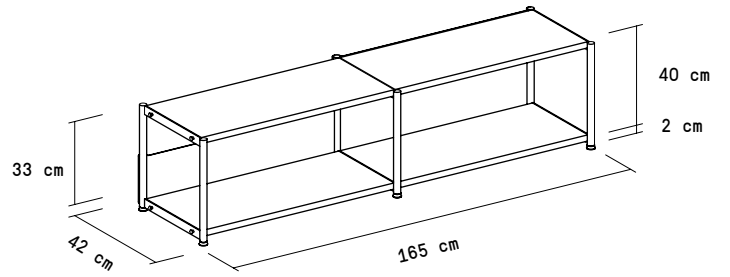
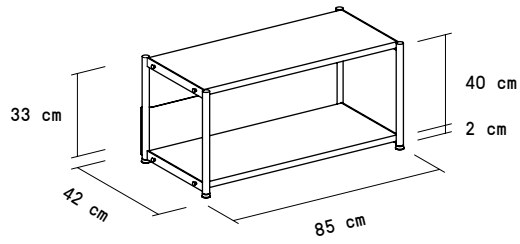
## Unit 2



# UNIT COLLECTION - Product fact sheet

## Unit 1

---



## Unit office

---

