

# TIPTOE

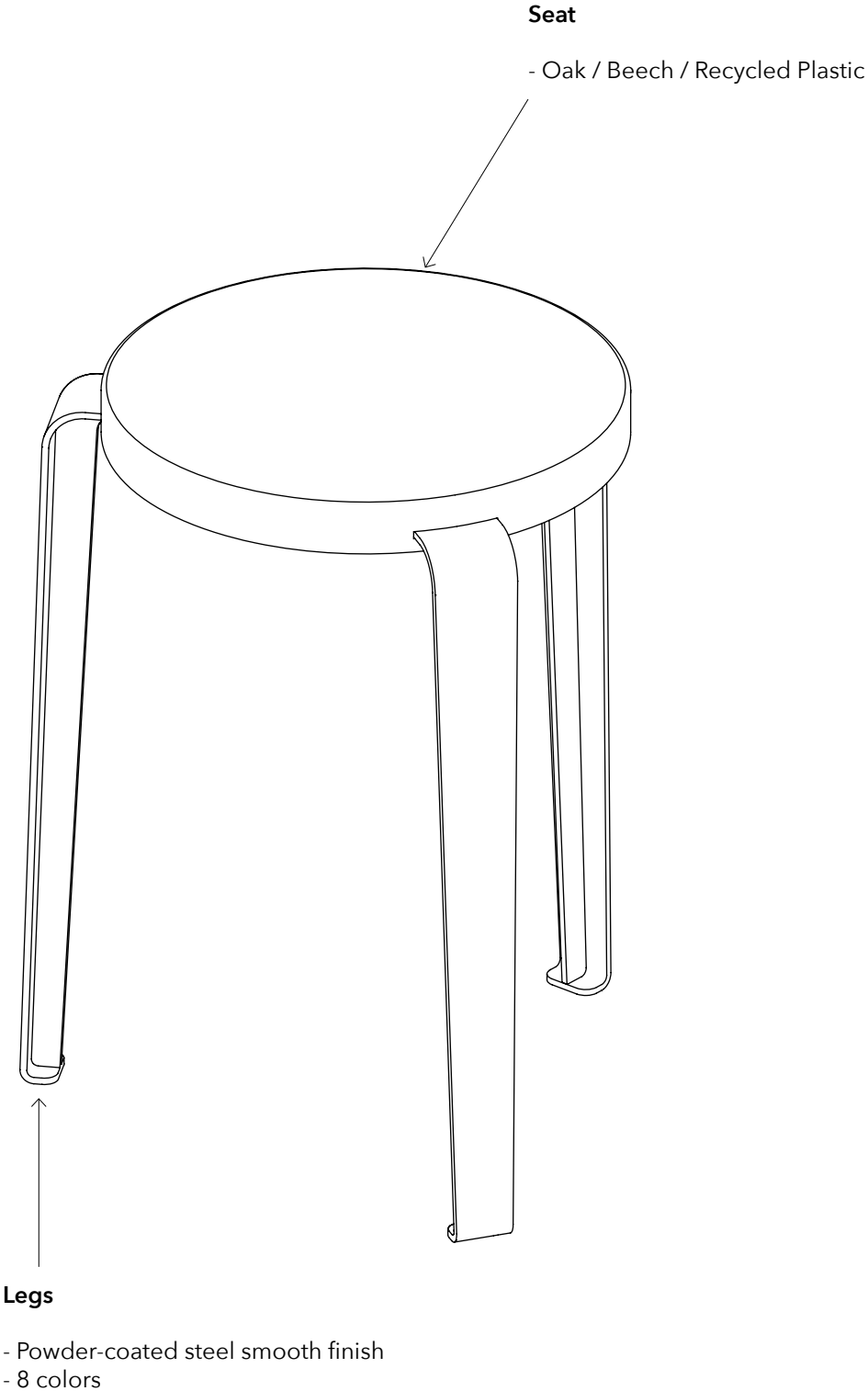
Technical Manual



LOU STOOL

# LOU STOOL

---



# LOU STOOL - 2018

---

The LOU stool designed by TIPTOE is a creative and versatile object that can be used as a seat as well as a side table, bedside table or sofa end. LOU combines smart design, easy installation and durability that are the heart of the TIPTOE DNA. With the LOU stool, TIPTOE offers you the possibility of having a unique interior.

## ORIGINS

---

Romania (Wooden seat)

England (Recycled plastic seat)

Bulgaria (Steel legs)

France (Screws)

## CERTIFICATIONS

---



The wood for this product comes from sustainably managed forests and controlled sources.

[Pefc-france.org](http://Pefc-france.org)



Recycled polystyrene from yogurt cups.

# COLORS AND FINISHES

## SEAT

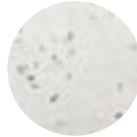
OAK

BEECH

TINTED OAK

VENEZIA  
POLYSTYRENE

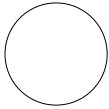
MACCHIATO  
POLYSTYRENE



## LEGS

STEEL (SMOOTH FINISH)  
INFINITELY RECYCLABLE MATERIALS,  
FROM EUROPE

CLOUDY WHITE - RAL 9010



GRAPHITE BLACK - RAL 9011



ROSEMARY GREEN - RAL 6003



EUCALYPTUS GRAY - RAL 7033



ASH PINK - RAL 3012



MINERAL BLUE - RAL 5011

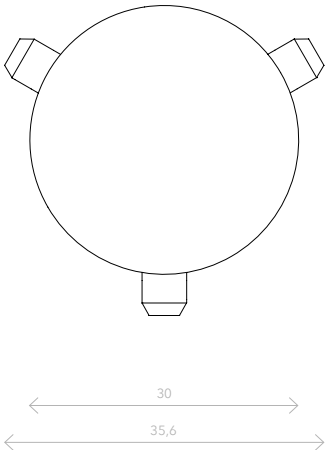
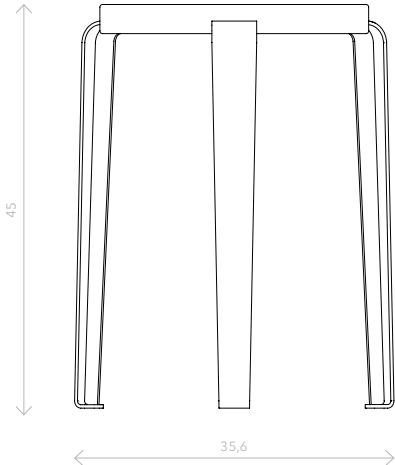


SUNFLOWER YELLOW - RAL 1003



# LOU STOOL - MEASUREMENTS

---



Weight : 4,5Kg

# TIPTOE

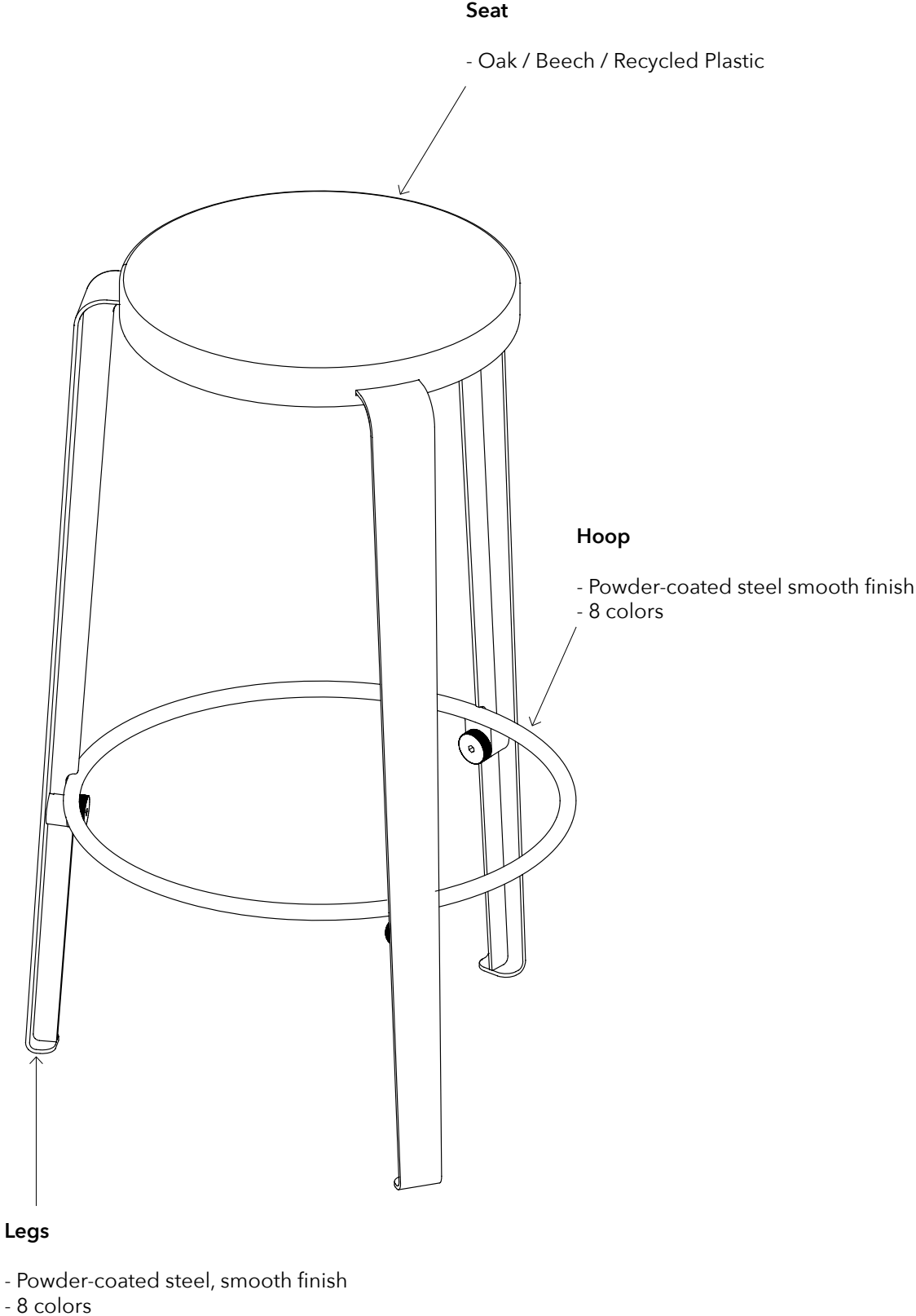
Technical Manual

MI LOU STOOL



# MI LOU STOOL

---



## MI LOU STOOL - 2019

---

The LOU stool designed by TIPTOE is a creative and versatile object that can be used with a workbench, kitchen island, or 90cm table legs. LOU combines smart design, easy installation and durability that are the heart of the TIPTOE DNA. With the LOU stool, TIPTOE offers you the possibility of having a unique interior.

## ORIGINS

---

Romania (Wooden seat)

England (Recycled plastic seat)

Bulgaria (Steel legs)

France (Screws)

## CERTIFICATIONS

---



The wood for this product comes from sustainably managed forests and controlled sources.

[Pefc-france.org](http://Pefc-france.org)



Recycled polystyrene from yogurt cups.



# COLORS AND FINISHES

## SEAT

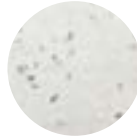
OAK

BEECH

TINTED OAK

VENEZIA  
POLYSTYRENE

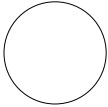
MACCHIATO  
POLYSTYRENE



## LEGS

STEEL (SMOOTH FINISH)  
INFINITELY RECYCLABLE MATERIALS,  
FROM EUROPE

CLOUDY WHITE - RAL 9010



GRAPHITE BLACK - RAL 9011



ROSEMARY GREEN - RAL 6003



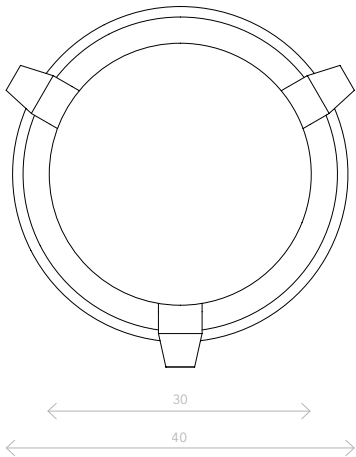
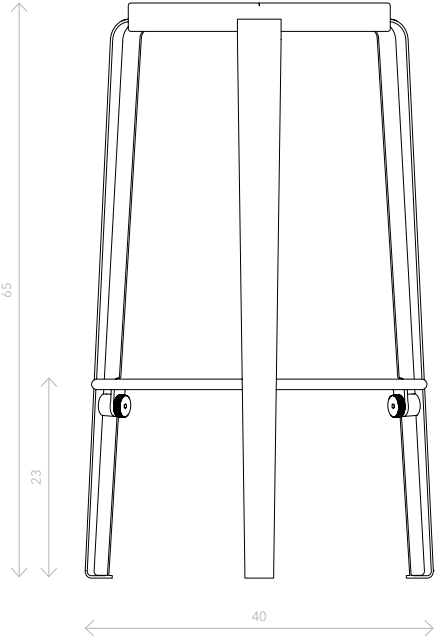
EUCALYPTUS GRAY - RAL 7033



●	●	●	●	○
●	●	●	●	●
●	●	●	●	○
●	●	●	●	○

# MI LOU STOOL - MEASUREMENTS

---



Weight : 7Kg

# TIPTOE

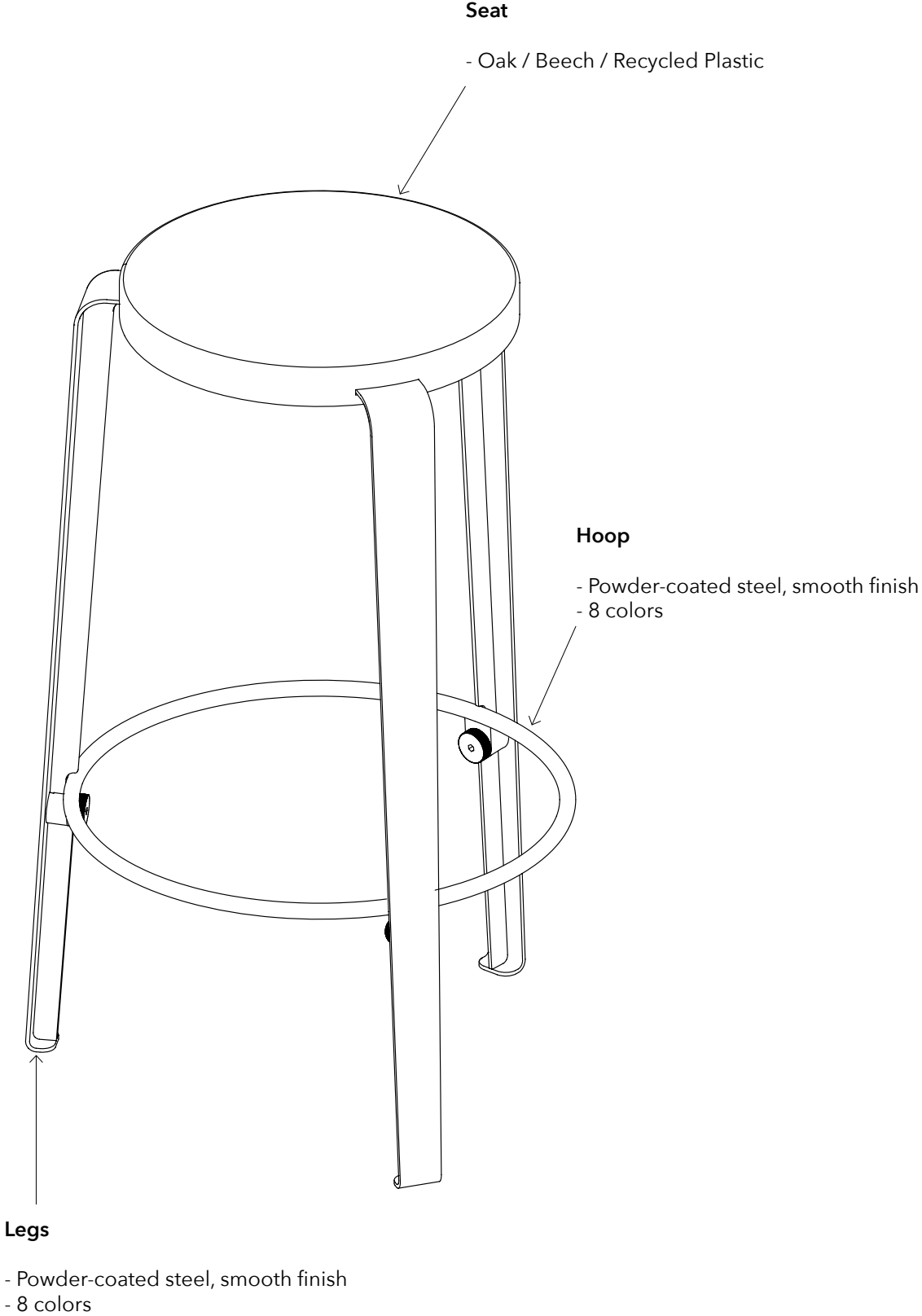
Technical Manual



BIG LOU STOOL

# BIG LOU STOOL

---



# BIG LOU STOOL - 2019

---

The LOU stool designed by TIPTOE is a creative and versatile object that can be used with a bar, a high table, a side table or with our 110 cm bar table legs. LOU combines smart design, easy installation and durability that are the heart of the TIPTOE DNA.

## ORIGINS

---

Romania (Wooden seat)

England (Recycled plastic seat)

Bulgaria (Steel legs)

France (Screws)

## CERTIFICATIONS

---



The wood for this product comes from sustainably managed forests and controlled sources.

[Pefc-france.org](http://Pefc-france.org)



Recycled polystyrene from yogurt cups.

# COLORS AND FINISHES

## SEAT

OAK

BEECH

TINTED OAK

VENEZIA  
POLYSTYRENE

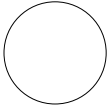
MACCHIATO  
POLYSTYRENE



## LEGS

STEEL (SMOOTH FINISH)  
INFINITELY RECYCLABLE MATERIALS,  
FROM EUROPE

CLOUDY WHITE - RAL 9010



GRAPHITE BLACK - RAL 9011



ROSEMARY GREEN - RAL 6003



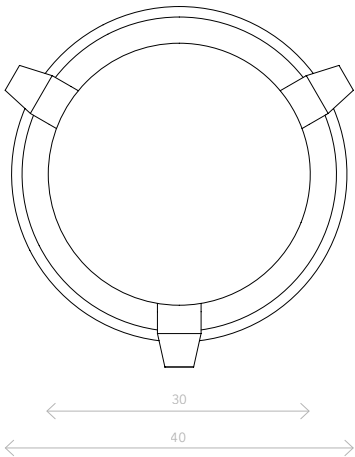
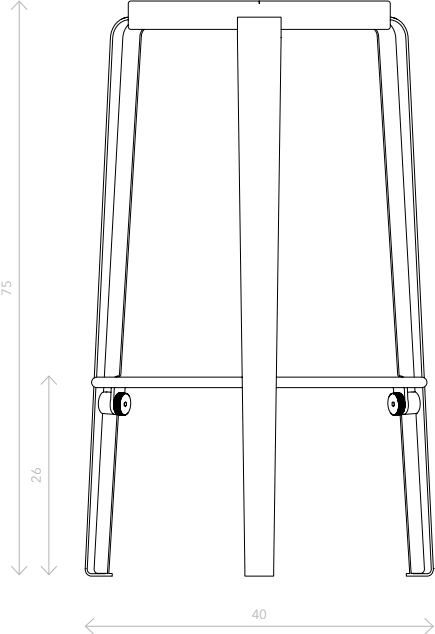
EUCALYPTUS GRAY - RAL 7033



●	●	●	●	○
●	●	●	●	●
●	●	●	●	○
●	●	●	●	○

# BIG LOU STOOL - MEASUREMENTS

---



Weight : 7Kg